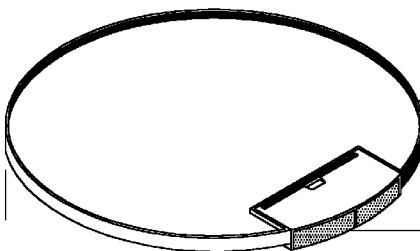
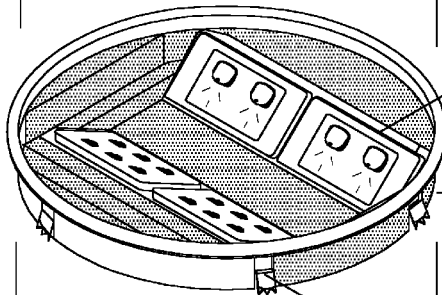


Features:

Optional cast alloy lid infill with slip resistant tread. Available in satin silver finish to match lid and frame set.



Cast alloy lid assembly with 5mm carpet rebate. (Hinges to frame assembly).

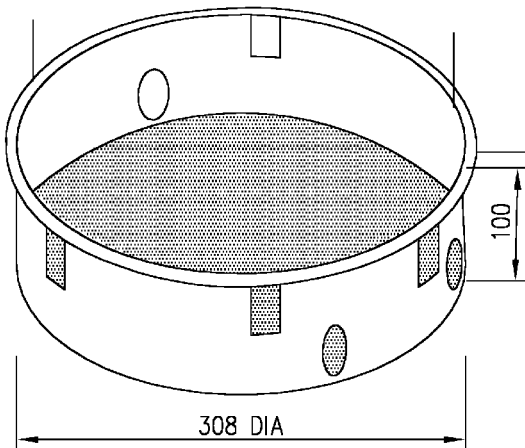


Cast alloy cable outlet flap with neoprene dust guards and integrated recessed metal handle.

Maximum outlet capacity
- 2 No. Standard size double GPO's
- 2 No. Standard size voice / data plates (Max. 6 gang each)

Cast alloy frame assembly with 10mm carpet protective side flanges. (325mm Dia.)

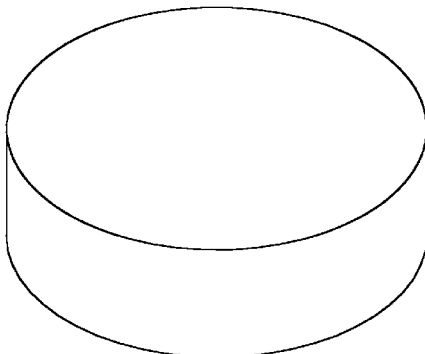
Fixing clamps securing lid / frame to block out in concrete screed.



Option A

Steel canister (308mm Dia. x 100mm deep)
4 No. 25mm Dia. conduit knockouts
Box body can be cast directly into concrete or a preformed recess.

Recess Size: Nom. 320 Dia. x 120mm deep



Option B

Cut to size foam block out creating 308mm Dia. x 100mm deep. recess in concrete / screed.

Recess Size: Nom. 308mm Dia. x 100mm deep