

At a glance ..

Lid Size	: 242x242mm
Capacity	: 4 autoswitch GPO's & 4 data/voice mechs
Lid Material	: Moulded polyamide
Colour	: Grey
Carpet rebate	: 8mm deep
Box Size	: Foam blockout method 230x230x65mm Steel box method 245x230x65mm
Recess Size	: Foam blockout method 230x230x65mm Steel box method 265x250x75mm



FFOB-570 SHALLOW FLOOR BOX



Benefits

A neat square floor box with a super shallow 65mm depth.

Outlet capacity is a maximum of four single automatic power outlets and four RJ type data/voice mechs.

The load tested* moulded polyamide lid and frame measures 242x242mm.

A robust cable outlet flap allows cords to safely exit the box with the lid closed and incorporates a neoprene dustguard and a strong fully recessed stainless steel handle.

Installation Features

The lid is supplied with an 8mm rebate for carpet or vinyl floor covering to infill.

An optional colour matching lid rebate infill is also available featuring an attractive tread pattern. This should be used where thick floor coverings such as timber or stone are being installed.

Outlets are mounted on an angle within the box to minimise dust accumulation.

All outlets are shrouded within clip-in apparatus boxes with strain relieved rear cable entries.

The lid is reversible to accommodate changes in room layout and is designed to gravity close.

Colours

Standard colour is Grey (RAL 7011 Iron Grey) with brown, beige and black available to order.

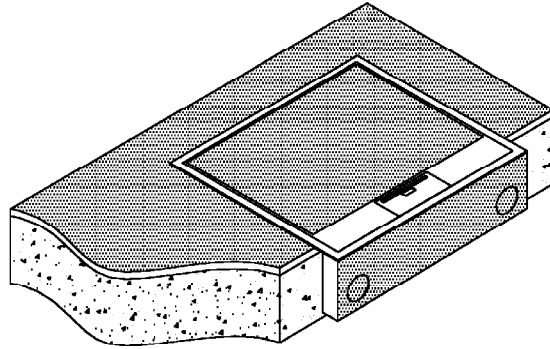
(Minimum quantities, manufacturing lead times and extra charges may apply).

*VDE 0634 "Ducting and trunking and their accessories for underfloor electrical installations."

VDE is the Association for Electrical, Electronic and Information Technologies (Germany).

Part Number Description

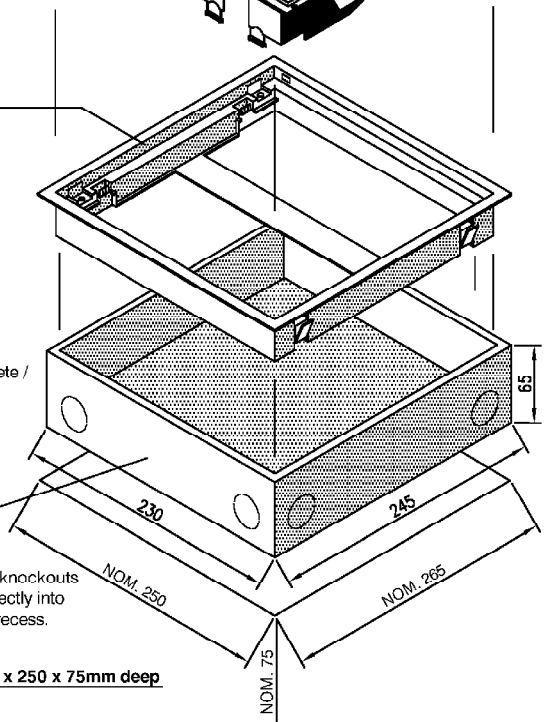
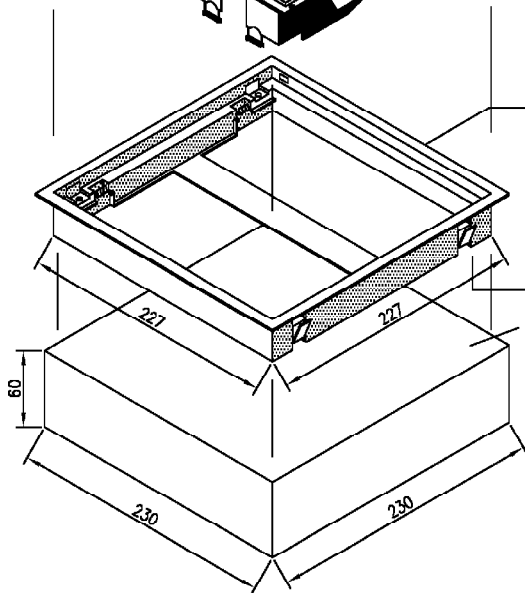
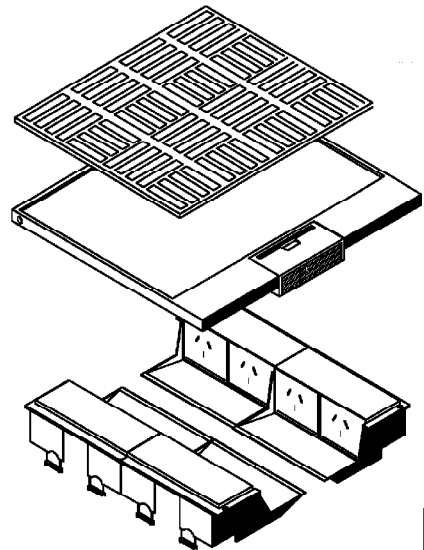
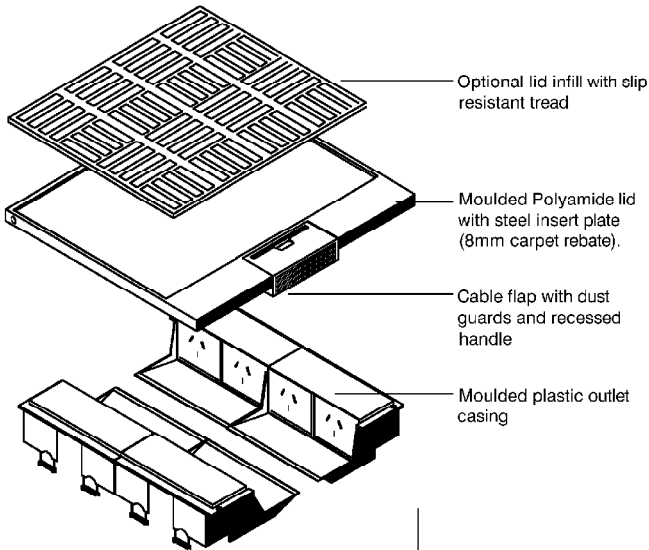
FFOB-570	Electraplan shallow floor box (4 gpo & 4 data mech type)
568RP	Lid rebate infill
570BF	Cut to size foam blockout to suit FFOB-570
570S	Steel box to suit FFOB-570



Option - A
Foam blockout

Features:

Option - B
Steel box body



Optional lid infill with slip resistant tread

Moulded Polyamide lid with steel insert plate (8mm carpet rebate).

Cable flap with dust guards and recessed handle

Moulded plastic outlet casing

Moulded frame assembly with 10mm carpet protective side edges. Overall frame size (240 x 240mm).

Fixing clamps securing lid / frame to box body

Option-A Foam blockout
Creating 230 x 230 x 60 recess when cast in concrete / screed.

Option-B
Steel box body (245 x 230 x 65mm deep)
8 No. 25mm Dia. conduit knockouts
Box body can be cast directly into concrete or a preformed recess.

Recess Size: Nom. 265 x 250 x 75mm deep