

## At a glance ..

Lid Size	: 325mm (Diameter)
Capacity	: 4 standard outlets (2 double power & 2 data)
Lid Material	: Cast alloy
Colour	: Satin silver (standard) or Polished (to order)
Carpet rebate	: 5mm deep
Recess Size	: 308 (diameter) x 100mm (deep)



## FFOB-590 CAST ALLOY FLOOR BOX



### Benefits

Offers visual appeal, generous outlet capacity and strength.

The hard wearing, load tested\* cast alloy lid and frame will withstand the demands of constant operation and regular traffic.

Ideal for use in schools, universities and public buildings.

Holds two standard double power and two data/voice outlets (Max 6 gang each).

A circular shape stops the unit from looking out of alignment with walls or furniture.

### Installation Features

The lid has a 5mm rebate for carpet or vinyl infill or an optional cast alloy lid rebate infill is available.

The lid rebate infill has an attractive tread pattern and is used where thick timber or stone floor coverings are being laid.

The robust cast alloy cable outlet flap allows cords to safely exit the box with the lid closed and incorporates a neoprene dustguard and a strong and fully retractable steel handle.

### Colours

Supplied with a satin silver finish as standard.

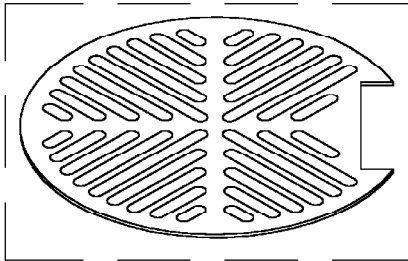
Polished lids and frames are available to order. (Minimum quantities, manufacturing lead times and extra charges may apply).

\*VDE 0634 "Ducting and trunking and their accessories for underfloor electrical installations".

VDE is the Association for Electrical, Electronic and Information Technologies (Germany).

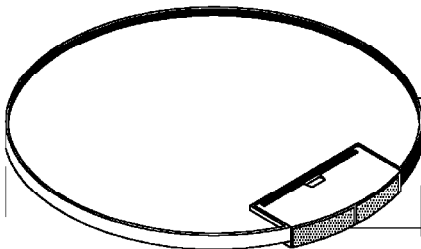
Part Number	Description
-------------	-------------

FFOB-590	Electraplan cast alloy floor box (325mm diameter)
590D	Satin silver lid rebate infill

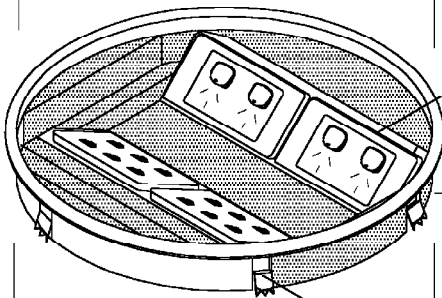


**Features:**

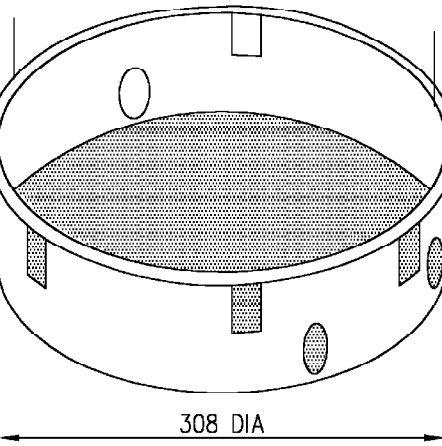
Optional cast alloy lid infill with slip resistant tread. Available in satin silver finish to match lid and frame set.



Cast alloy lid assembly with 5mm carpet rebate. (Hinges to frame assembly).



Cast alloy cable outlet flap with neoprene dust guards and integrated recessed metal handle.



Maximum outlet capacity  
 - 2 No. Standard size double GPO's  
 - 2 No. Standard size voice / data plates (Max. 6 gang each)

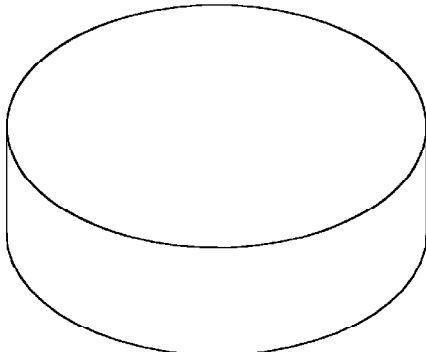
Cast alloy frame assembly with 10mm carpet protective side flanges. (325mm Dia.)

Fixing clamps securing lid / frame to block out in concrete screed.

**Option A**

Steel canister (308mm Dia. x 100mm deep)  
 4 No. 25mm Dia. conduit knockouts  
 Box body can be cast directly into concrete or a preformed recess.

**Recess Size: Nom. 320 Dia. x 120mm deep**



**Option B**

Cut to size foam block out creating 308mm Dia. x 100mm deep recess in concrete / screed.

**Recess Size: Nom. 308mm Dia. x 100mm deep**