

Model 599 – Floor Outlet Box General Guide to Installation

A..) Prepare area for installation

1..) Raised Floor

Cut round hole in floor at desired location and ensure there is 115mm depth clearance. Use the steel box body 'top plate' as template. The steel box body is then to be secured to underside of floor, the 'top plate' can be removed as is no longer required.

2..) Slab/Screed Installation

Secure steel box body (350x350x115mm) to structural slab or (recommended option) within preformed recess/blockout. Ensure the steel body is positioned to finish flush & level with final slab surface and is secured to prevent 'dipping' or 'floating' within screed.

Positioning and securing the box body accurately will prevent operation/installation problems at later stages.

Connect conduits to steel box body at desired locations and cover opening in box body (using temporary cover supplied) to prevent screed entering box.

B..) Floor Box Lid & Frame Installation

Floor surface (carpet, vinyl etc...) is to be laid first and trimmed to size of circular opening in steel box body or to hole in raised floor.

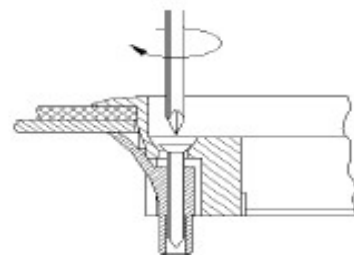
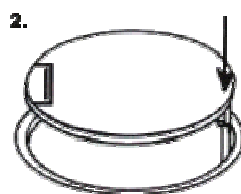
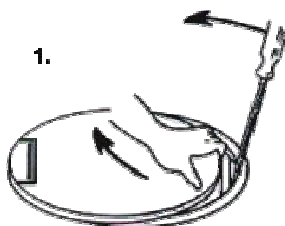
(Optional) Remove lid of floor box assembly (Figure 1) - by unscrewing hinge & placing flat blade screwdriver down hinge to unfasten from retaining clip. Floor contractor is then to cut and fit the floor finish into the lid rebate or the optional matching cast rebate infill is to be affixed.

Fit the model 599 lid & frame into the mounting space created in Step A..) by slackening fixing clamps - then easing the unit into place. Secure the frame by tightening clamps until solid – **do not overtighten**.

Terminate outlets as required (as per AS3000).

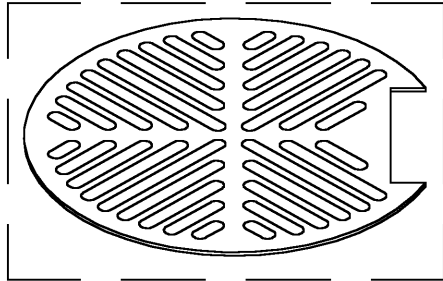
Replace floor box lid (Figure 2) and make a note not to overtighten hinge screws.

Test the operation of the unit. Ensure lid & frame are free from debris (adhesive etc.) to allow lid to open and close easily.

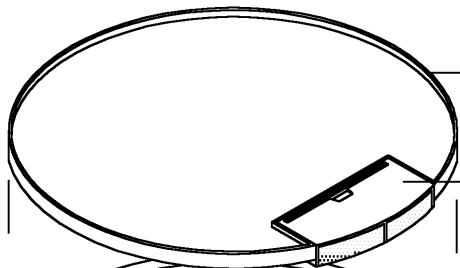


Assembly Diagram Cat No. FFOB-599

Features:



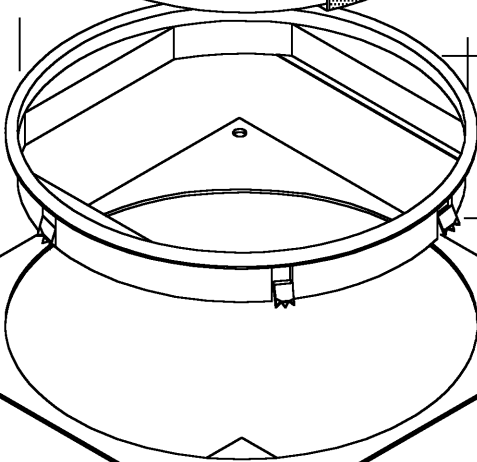
Optional cast alloy lid infill with slip resistant tread. Available in satin silver finish to match lid and frame set.



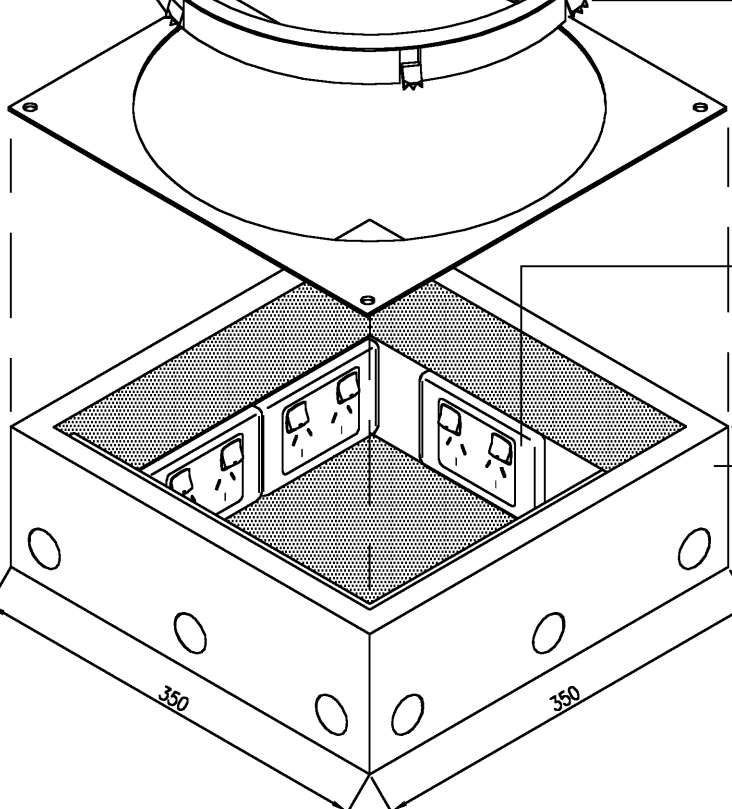
Cast alloy lid assembly with 5mm carpet rebate. (Hinges to frame assembly).



Cast alloy cable outlet flap with neoprene dust guards and intergrated recessed metal handle.



Cast alloy frame assembly with 10mm carpet protective side flanges. (325mm Dia.)



Fixing clamps securing lid / frame to box body

Maximum outlet capacity

- 4 No. standard size double GPO's
- 2 No. standard size voice / data plates

Steel box body

(350 x 350 x 115mm deep)

12 No. 25mm Dia. conduit knockouts

Box body can be cast directly into concrete or a preformed recess.

Recess Size: Nom. 360 x 360 x 125mm deep